

# Frågeformulär för energikedjor

Company \_\_\_\_\_

First name, Name \_\_\_\_\_

Street, No. \_\_\_\_\_

Postal Code, Place \_\_\_\_\_

Phone / Fax \_\_\_\_\_

E-Mail \_\_\_\_\_

Installation site \_\_\_\_\_

Kind of machine \_\_\_\_\_

In operation since \_\_\_\_\_

Sender \_\_\_\_\_

## 1. Drag Chain-Parameter

1. Chain length/chain width m/mm \_\_\_\_\_

2. Chain pitch mm \_\_\_\_\_

3. Bending radius mm \_\_\_\_\_

4. Guide stays existing  yes  no

5. Frame stays existing  yes  no

6. Layout/Installation  horizontal  vertical

## 4. Environmental-Parameter

1. Operating temprature °C \_\_\_\_\_

2. Kind of chemical influences \_\_\_\_\_

3. Other environmental influences \_\_\_\_\_

## 2. Installation and Movement-Parameter

1. Movement distance (max.) m \_\_\_\_\_

2. Speeds m/s \_\_\_\_\_

3. Acceleration m/s<sup>2</sup> \_\_\_\_\_

4. Frequency per time unit x/h \_\_\_\_\_

5. Average movement distance/cycle m \_\_\_\_\_

6. Daily working duration h \_\_\_\_\_

7. Feeding at mid of moving distance  yes  no

8. Additional weight/chain kg \_\_\_\_\_

## 3. Cable-Parameter

1. Cable length (total) m \_\_\_\_\_

2. Cable length (mobile) m \_\_\_\_\_

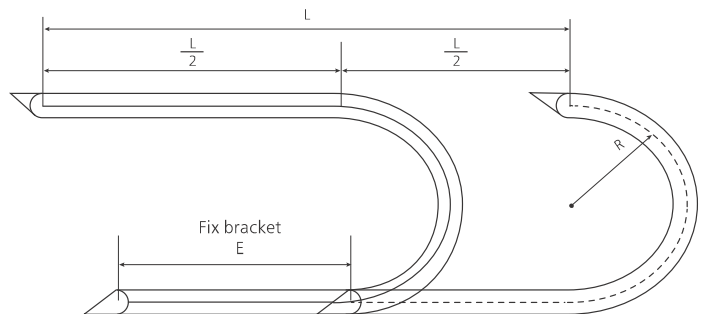
3. Number of cables n \_\_\_\_\_

4. Cable clamping without strain  yes  no

5. Number of cores per cable n \_\_\_\_\_

6. Cable screened  yes  no

7. Cable halogen-free  yes  no



L = Movement distance  
 R = Radius  
 E = Distance between cable entrance and mid of moving distance

No.	Part-No.	Cable type	No. cores/cross-sec.	Notes
1.				
2.				
3.				
4.				